



SNOWMOBILE

SPARE PARTS LIST

•

MODELS
R-12 and R-18

•

BOMBARDIER SNOWMOBILE LTD.
L'AUTO-NEIGE BOMBARDIER LTÉE

B.S.L. 10

VALCOURT, Que. — CANADA



SNOWMOBILE

SPARE PARTS LIST



MODELS
R-12 and R-18

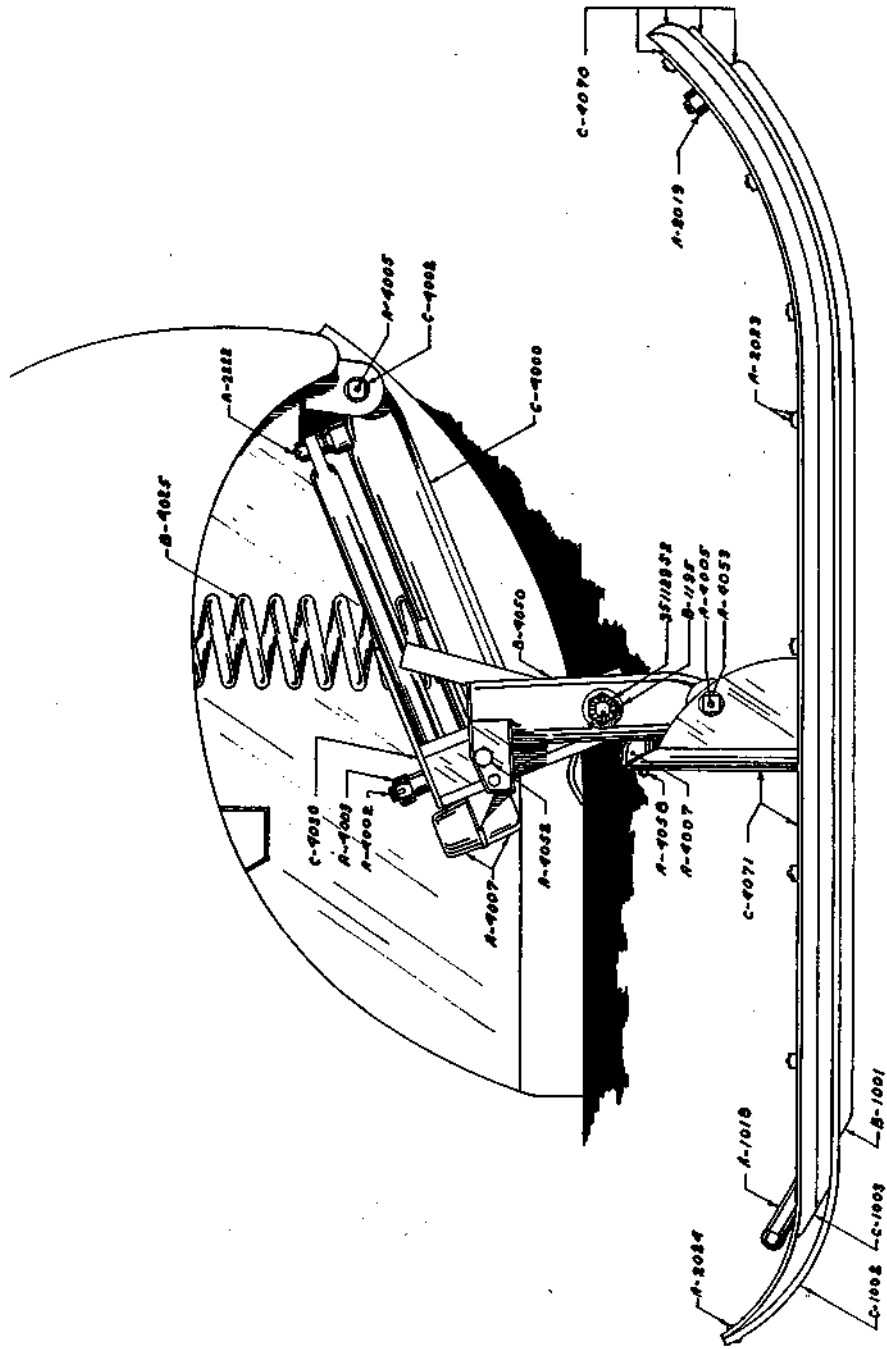


BOMBARDIER SNOWMOBILE LTD.

L'AUTO-NEIGE BOMBARDIER LTÉE

VALCOURT, Que. — CANADA

SKI & FRONT SUSPENSION



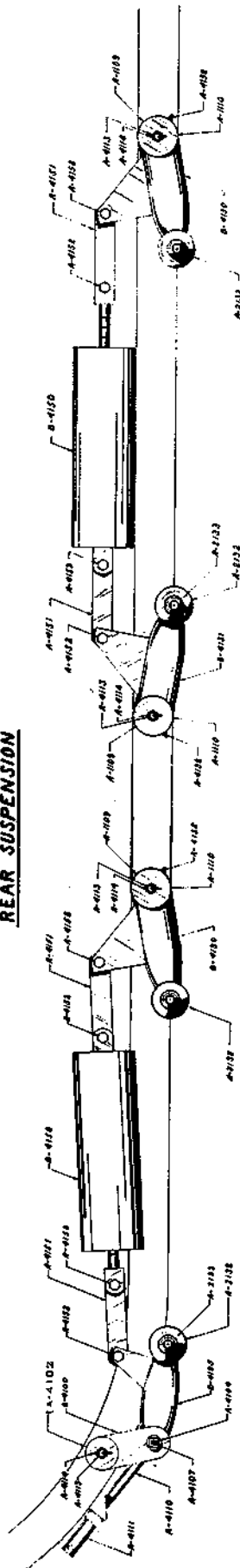
FRONT SUSPENSION AND SKIS

Parts No.	PARTS NAME	Ref. No.
C-4000	Knuckle arm and spring seat assy (with cups) R.H.	
C-4001	Knuckle arm and spring seat assy (with cups) L.H.	
C-4002	Axle — Knuckle arm	
A-4003	Nut — Knuckle arm axle	
A-4017	Cutter pin — Axle nut	
A-4005	Grease fitting — Knuckle arm axle	
09196	Cup — Knuckle arm bearing	
09074	Cone — Knuckle arm bearing	
A-4006	Grease retainer — Knuckle arm bearing	
A-4007	Rubber bumper — Knuckle arm	
A-4008	Bolt, nut and washer — Knuckle arm rubber bumper	
A-4002	King pin	
A-4003	Nut — King pin	
A-4017	Cotter pin — King pin nut	
A-4005	Grease fitting — King pin	
A-4019	Needle bearing — King pin	
A-4020	Washer — King pin bearing	
B-4025	Spring — Front coil	
A-4026	Spacer — Front spring (thin)	
A-4027	Spacer — Front spring (thick)	
C-4030	Spindle and steering arm assembly R.H.	
C-4031	Spindle and steering arm assembly L.H.	
C-1114	Wheel — Front	
A-2125	Tire 4.50 x 16 — Front wheel	
A-2126	Tube 4.50 x 16 — Front wheel	
15250	Cup — Front wheel bearing inner	
15112	Cone — Front wheel bearing inner	
09196	Cup — Front wheel bearing outer	
09074	Cone — Front wheel bearing outer	
556	Grease retainer — Front wheel	
A-2132	Mud excluder — Wheel bearing	
A-2133	Felt — Wheel bearing mud excluder	
351129S2	Nut — Front wheel spindle	

FRONT SUSPENSION AND SKIS

Parts No.	PARTS NAME	Ref. No.
B-1195	Thrust washer — Front wheel spindle	
A-4032	Cotter pin — Front wheel bearing	
B-1139	Hub cap — Bogie wheel	
B-4050	Bracket — Ski support right hand	
B-4051	Bracket — Ski support left hand	
A-4052	Bolt top and washer — Ski support bracket	
09196	Cup — Ski support bracket	
09074	Cone — Ski support bracket	
A-4006	Grease retainer — Support bracket bearing	
A-4053	Axle — Ski support bracket	
A-4003	Nut — Ski support bracket axle	
A-4017	Cotter pin — Axle nut	
A-4005	Grease fitting — Bracket axle	
A-4007	Rubber bumper — Ski support bracket	
A-4058	Bolt, nut and lock washer — rubber bumper	
C-4070	Ski assembly	
B-1001	Shoe runner	
C-1002	Cap — Runner	
C-1003	Support runner (wood)	
C-4071	Runner and bracket (ski)	
A-1018	Spacer tube — Runner shoe	
A-2019	Nut — Runner shoe	
A-2023	Tire bolt and nut 2 ¹ / ₄ " x 3 ³ / ₈ " — Ski assy	
A-2024	Rivet 5/16" x 7/8" runner cap	

REAR SUSPENSION



TRACK AND REAR SUSPENSION

Model R-12 and R-18

Parts No.	PARTS NAME	Ref. No.
C-1120-1	Track assembly (on C-1122-1 belt)	
C-1122-1	Track belt B.K. with 6 steel cable 1/8" — endless	
B-1121	Cross link — Track	
A-1123	Cleats — Track reinforcement	
A-1124	Coupling assembly — Track	
A-1125	Coupling — Track	
A-1126	Coupling link — Track	
10118	Bolt 1 1/4" x 5/16" — Cross link (Special)	
10119	Nut 5/16" — Cross link	
10120	Lock washer 5/16" — Cross link	
10121	Bolt and nut 5 1/2" x 3/8" — Track coupling	
B-4100	Adjuster unit — Spindle R.H.	
B-4101	Adjuster unit — Spindle L.H.	
A-4102	Stop washer — Adjuster unit	
A-4103	Spacer — Adjuster unit and frame (R-18 only)	
A-4104	Axle — Adjuster unit	
A-4003	Nut — Adjuster unit axle	
A-4017	Cutter pin — Adjuster unit axle nut	
A-4107	Grease fitting 1/4 90° — Axle	
09196	Cup — Adjuster unit axle bearing	
09074	Cone — Adjuster unit axle bearing	
A-4006	Grease retainer — Bearing	
A-4110	Adjusting screw	
A-4111	Nut and tube — Adjusting screw	
B-4112	Reinforcement — Rear suspension cross shaft (R-12)	
B-4116	Reinforcement — Rear suspension cross shaft (R-18)	
A-4113	Nut — Rear suspension cross shaft	
A-4114	Cutter pin — Rear suspension cross shaft nut	
B-4125	Bogie spindle R.H. (Adjuster)	
B-4126	Bogie spindle L.H. (Adjuster)	
B-4130	Bogie spindle assembly (Right hand front and third) (Left hand second)	

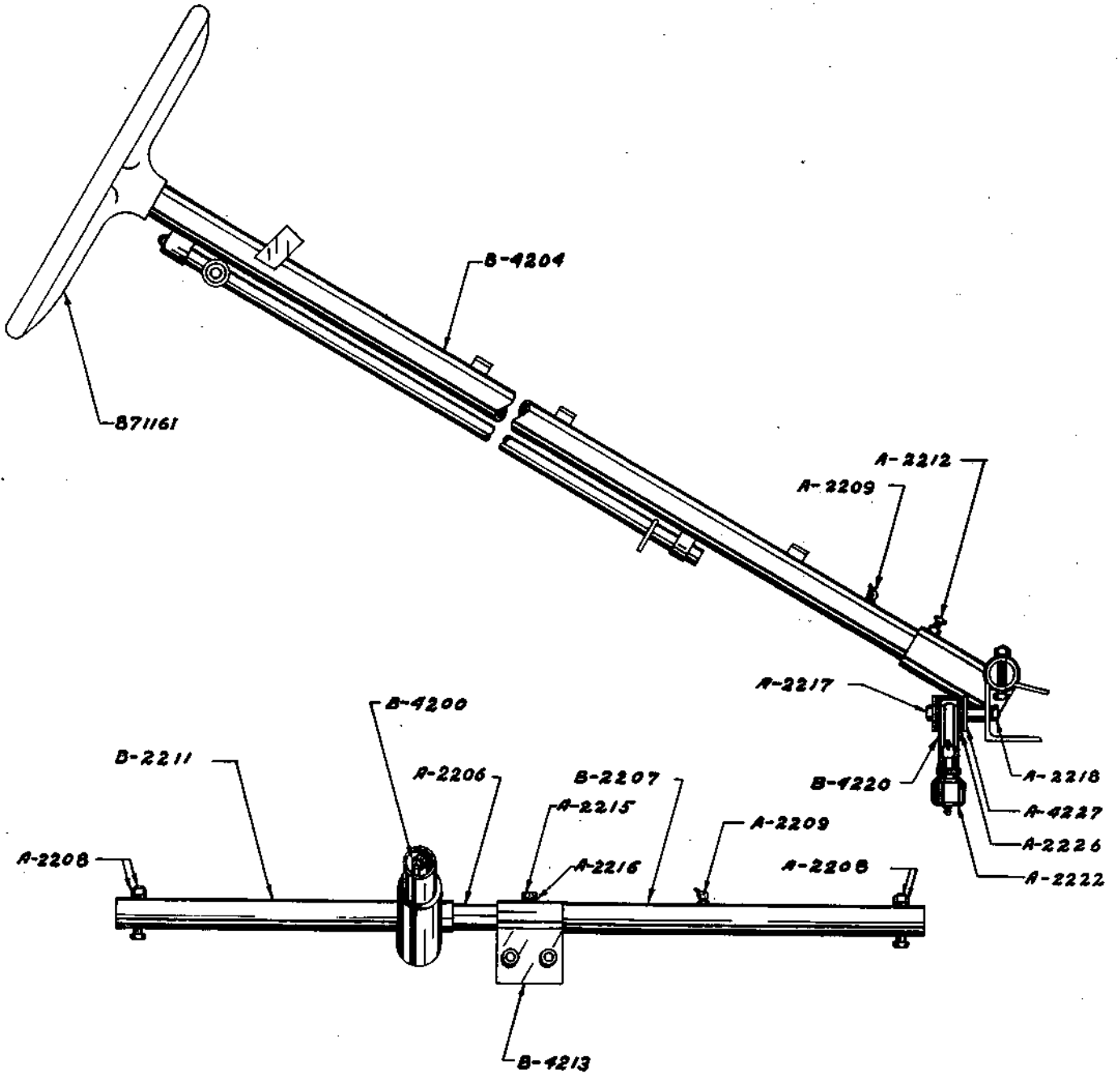
TRACK AND REAR SUSPENSION

Model R-12 and R-18

Parts No.	PARTS NAME	Ref. No.
B-4131	Bogie spindle assembly (Left hand front and third) (Right hand second)	
A-1109	Stop washer — Bogie spindle	
A-1110	Grease retainer — Bogie spindle	
B-1111	Sleeve outer — Bogie spindle bearing	
B-1112	Sleever inner — Bogie spindle bearing	
A-1113	Needle bearing bogie spindle	
A-4132	Grease fitting — Bogie spindle	
B-4150	Bogie spring — without link	
A-4151	Link — Bogie spring	
A-4152	Bolt 2" x 1/2" — Bogie spring and link	
A-4153	Nut 1/2" — Bogie spring and link	
C-1114	Wheel — Bogie (with cups)	
A-2125	Tire 4.50 x 16 — Bogie wheel	
A-2126	Tube 4.50 x 16 — Bogie wheel	
A-2132	Mud excluder	
A-2133	Felt — Mud excluder	
<u>556</u>	Grease retainer — Bogie wheel • 1063004	
15112	Cone bogie wheel bearing inner 1050001	
15250	Cup bogie wheel bearing inner	
09074	Cone bogie wheel bearing outer 1050011	
09196	Cup bogie wheel bearing outer	
B-1195	Thrust washer — Bogie wheel bearing	
351129S2	Nut — Bogie wheel bearing	
A-4032	Cutter pin — Bogie wheel bearing nut	
B-1139	Hub-cap — Bogie wheel	
A-4133	Rubber Guard — Track	

NOTES

STEERING MECHANISM



STEERING MECHANISM

Model R-12 and R-18

Parts No.	PARTS NAME	Ref. No.
1117428	Wheel — Steering	
95955148	Button — Horn	
862975	Retainer assembly — Horn button	
681402	Spring — Horn button	
854818	Contact cup — Horn button	
175013	Nut — Steering wheel	
657484	Insulator — Cable	
611897	Contact — Cable	
611898	Connector — Horn cable to chassis wiring	
B-4201	Cable assembly — Horn button to wiring harness	
B-4200	Steering shaft pinion and bearing assembly	
A-1205	Pinion — Steering shaft	
A-2201	Bearing — Steering shaft	
A-2202	Bushing — Steering shaft bearing retainer (Steel)	
A-2203	Bushing Upper — Steering shaft	
B-4204	Mast jacket — Steering	
A-4203	Bolt — Mast jacket to panel	
A-4205	Nut lock washer 1/4" — M. Jacket bolt	
A-2206	Rack — Steering	
B-2207	Housing — Steering rack	
A-2208	Bolt, nut and lockwasher 3/8" — Steering rack housing	
A-2209	Grease fitting — Steering rack housing	
A-2210	Bushing — Steering rack housing	
B-2211	Housing — Steering pinion and rack	
A-2212	Cap screw and nut — Mast Jacket and rack housing lock	
B-4213	Bracket — Steering rack and tie rod control	
A-2215	Cap screw — Bracket and steering rack lock	
A-2216	Lock washer — Bracket and steering rack lock	

STEERING MECHANISM

Model R-12 and R-18

Parts No.	PARTS NAME	Ref. No.
A-2217	Cap screw — Bracket and tie rod	
A-2218	Nut 3/8" — Bracket and tie rod	
A-2225	Steel bushing — Steering tie rod	
B-4220	Tie rod — Steering R.H. & L.H. (R-12)	
B-4225	Tie rod — Steering R.H. and L.H. (R-18 only)	
A-2226	Rubber bushing — Steering tie rod	
A-4227	Retainer Plate — Steering tie rod	
A-2222	End assembly — Steering tie rod (R.H.)	
A-2223	Clamp — Steering tie rod	
A-2224	Bolt, nut and lock — Steering tie rod clamp	

NOTES

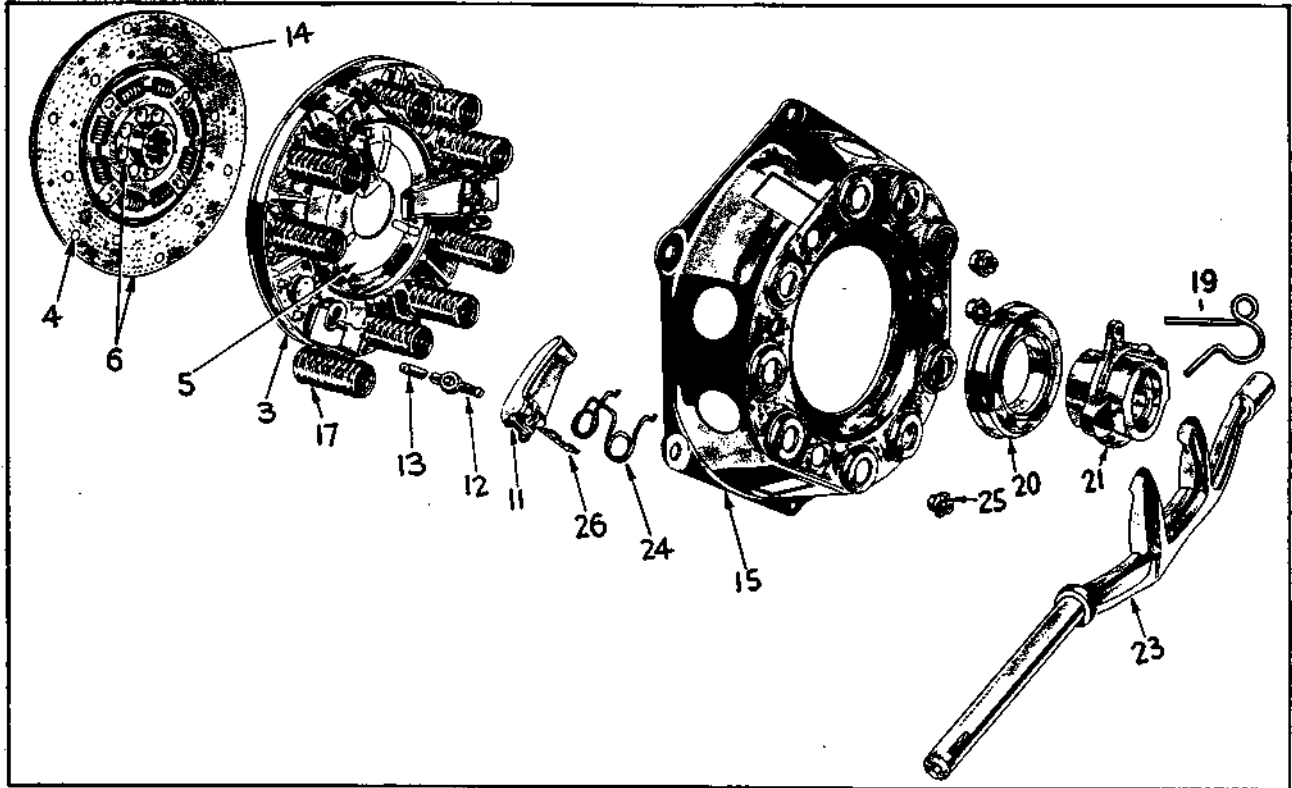
ENGINE - FUEL AND EXHAUST SYSTEM

Model R-12 and R-18

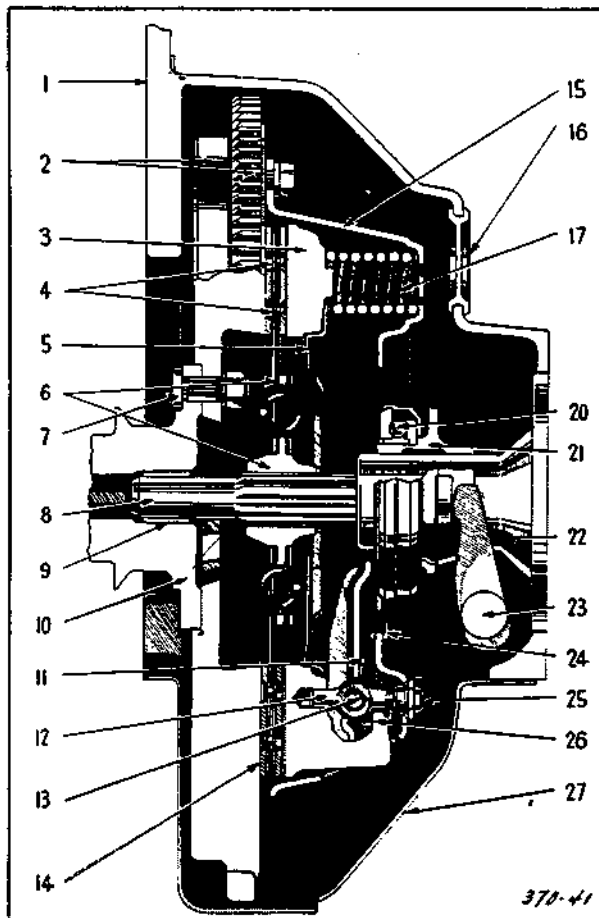
NOTE : For Engine Component parts, See Chrysler Industrial Engine Maintenance and Parts Manual — Refer to Chrysler Ind. 251.

Parts No.	PARTS NAME	Ref. No.
A-4300	Insulator Engine support (At fan)	
A-4301	Retainer — Engine support insulator	
A-4302	Washer — Engine support insulator	
A-4303	Bolt and nut — Engine support	
B-4310	Insulator assembly — Motor support (At transmission)	
A-4311	Washer — Rear motor support insulator	
A-4312	Bolt and nut — Rear motor support insulator	
C-4314	Muffler assembly — R-12	
C-4315	Muffler assembly — R-18	
A-4316	Gasket — Exhaust pipe	
A-4317	Bolt, nut and washer — Manifold to exhaust pipe	
A-4318	Hole plate — Muffler outlet	
A-4319	Spring — Muffler outlet hole plate	
B-4324	Tank assembly (Fuel) — R-12	
B-4325	Tank assembly (Fuel) — R-18	
A-2309	Cap — Fuel tank	
A-4326	Rubber insulator — Fuel tank filler tube	
A-4327	Bolt, nut and washer — Fuel tank	
A-2320	Outlet and elbow assembly — Fuel tank (inc. 69 x 5 A)	
A-4328	Line — Fuel tank to pump (Without fitting)	
A-2322	Elbow — Line to fuel pump (69 x 5)	
1317258	Carburator assembly	
A-4335	Lever — Accelerator rod to carburator	
A-4336	Swivel — Accelerator rod to lever	
A-4337	Return spring — Accelerator rod	
A-4338	Bracket — Accelerator rod return spring	
B-4339	Rod — Accelerator	
B-4340	Pedal assembly — Accelerator	

CHRYSLER SERVICE PARTS FOR BOMBARBIER SNOWMOBILE



CLUTCH
(disassembled view)



CLUTCH
(Assembled view
at left)

CLUTCH AND BRAKE

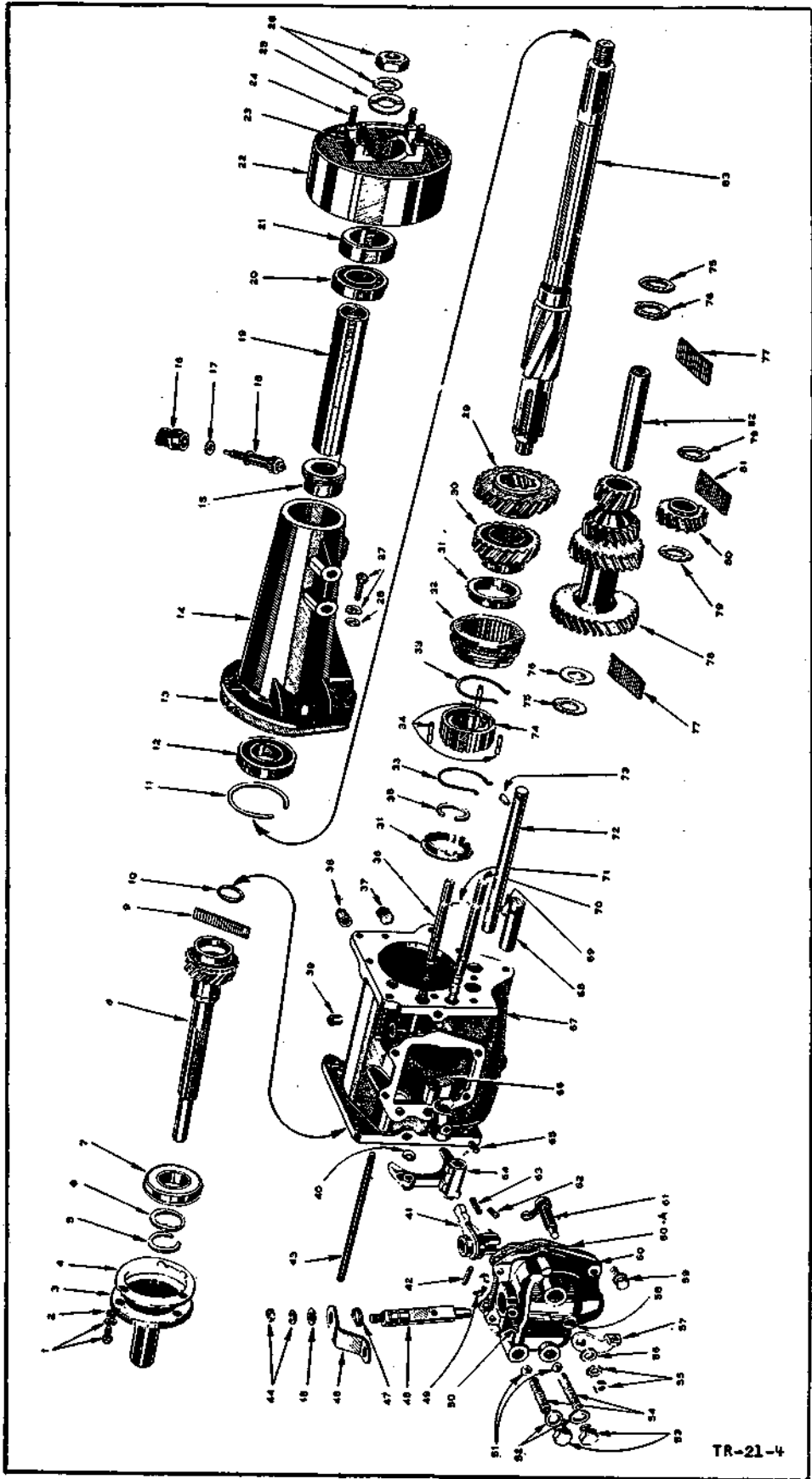
Model R-12 and R-18

Parts No.	PARTS NAME	Ref. No.
871358	Housing assembly R.H.D.	1
1312139	Engine flywheel and ring gear	2
684363	Pressure plate	3
121573	Disc facing rivets	4
697497	Pressure plate baffle	5
917166	Disc assembly	6
871685	Engine flywheel bolt	7
853864	Transmission drive pinion	8
53298	Engine crankshaft bushing (transmission drive pinion pilot bushing)	9
870745	Engine crankshaft	10
684387	Release lever	11
1088101	Release lever eye bolt and nut assembly	12
619463	Release lever pin	13
697498	Disc facing	14
855518	Cover	15
660324	Housing hole plug	16
670103	Pressure spring	17
671915	Release bearing pull back spring	19
658998	Release bearing	20
862859	Release bearing sleeve	21
670945	Transmission drive pinion bearing retainer	22
863916 8-4466	Release fork	23
622915	Release lever spring	24
314293	Release lever eye bolt nut	25
619466	Release lever strut	26
859768	Housing pan	27
1265946	Clutch cover and pressure plate assembly	
862859	Release bearing and sleeve assembly	

CLUTCH AND BRAKE

Model R-12 and R-18

Parts No.	PARTS NAME	Ref. No.
B-4400	Pedal — Clutch	
A-2403	Pad — Clutch pedal	
B-4401	Rod — Clutch	
A-4402	Return spring — Clutch rod	
A-4404	Adjuster — Clutch rod	
A-4403	Pin — Adjuster clutch rod	
A-4405	Lock nut — Clutch rod adjuster	
B-4410	Pedal — Brake	
A-2403	Pad — Brake pedal	
B-4411	Rod — Brake	
A-4412	Clevis — Brake rod	
A-4413	Nut — Brake rod clevis	
A-4414	Bolt and nut — Clevis to brake bracket	
A-4415	Adjuster — Brake rod spring	
A-4416	Return spring — Brake rod	
A-4417	Guard — Brake rod	



STANDARD TRANSMISSION

TR-21-4

TRANSMISSION – PROPELLER SHAFT

Model R-12 and R-18

Parts No.	PARTS NAME	Ref. No.
122017	Pinion bearing retainer screw	1
670946	Retainer screw grommet	2
670945	Pinion bearing retainer	3
601130	Retainer gasket	4
601131	Retainer gasket	4
631823	Pinion bearing snap ring (thin)	5
631824	Pinion bearing snap ring (medium)	5
631825	Pinion bearing snap ring (thick)	5
640332	Pinion bearing snap ring (extra-thick)	5
631877	Pinion bearing washer	6
619167	Drive pinion bearing	7
853864	Drive pinion	8
602007	Mainshaft pilot bearing rollers	9
601108	Mainshaft pilot bearing snap ring	10
640280	Mainshaft rear bearing snap ring (thin)	11
631809	Mainshaft rear bearing snap ring (medium)	11
631810	Mainshaft rear bearing snap ring (thick)	11
640331	Mainshaft rear bearing snap ring (extra thick)	11
619166	Mainshaft rear bearing	12
853895	Case extension gasket	13
853880	Case extension	14
853489	Speedometer drive gear	15
652841	Speedometer pinion sleeve	16
1134949	Speedometer pinion oil seal	17
652842	Speedometer drive pinion	18
856469	Mainshaft bearing spacer	19
694770	Case extension bearing	20
670752	Case extension oil seal	21
1122386	Hand brake drum	22
1321325	Mainshaft flange	23
120369	Propeller shaft bolt	24
684748	Mainshaft flange washer	25

TRANSMISSION – PROPELLER SHAFT

Model R-12 and R-18

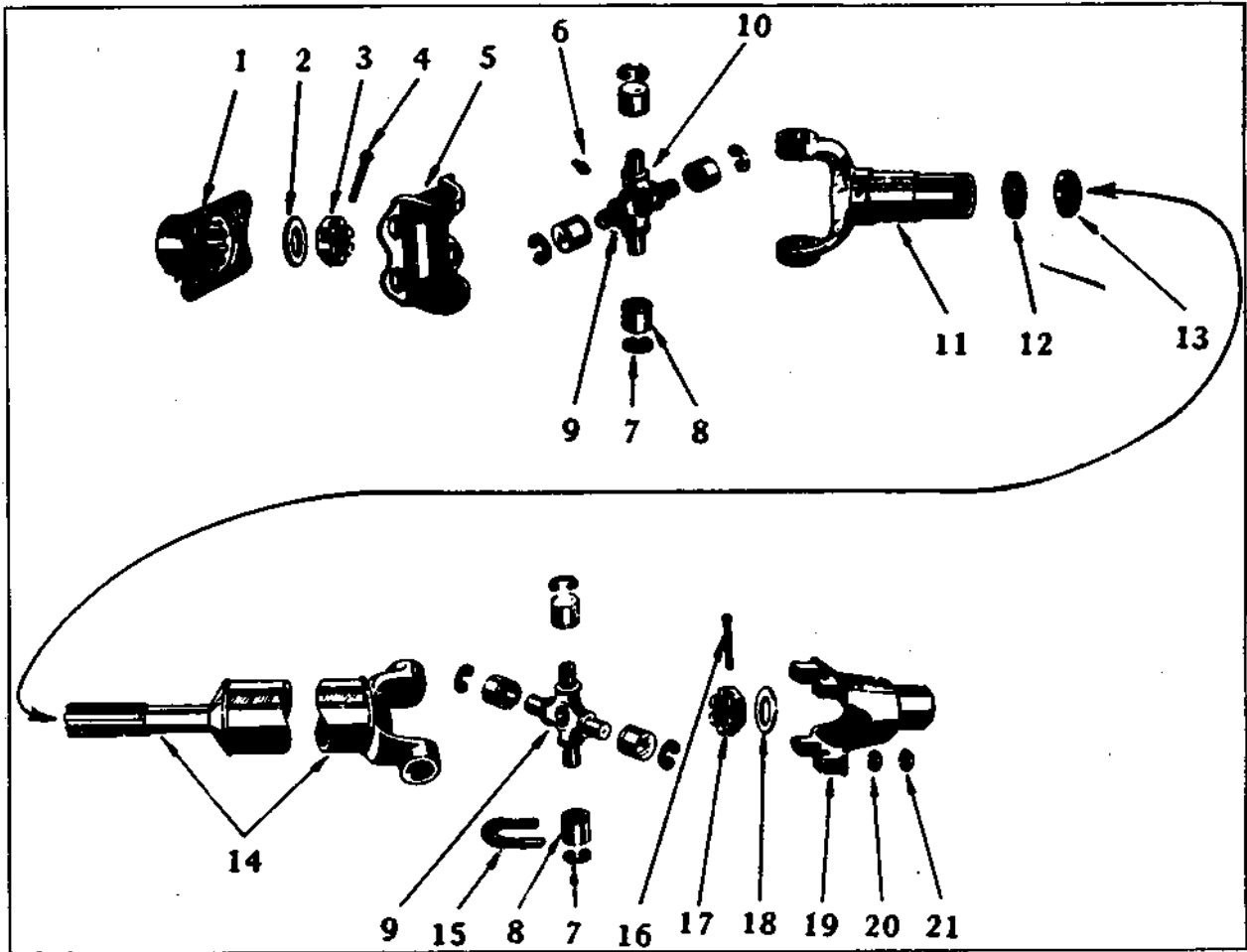
Parts No.	PARTS NAME	Ref. No.
525009	Mainshaft flange nut and lockwasher	26
122126	Case extension screw	27
138489	Case extension lockwasher	27
686626	Case extension screw grommet	28
853886	Sliding gear low and reverse	29
852456	Second speed gear	30
853867	Synchronize stop ring	31
856467	Clutch gear sleeve assembly	32
853863	Clutch gear	32
856464	Clutch sleeve	32
856471	Synchronizer spring (in pack)	33
1064536	Synchronizer shifting plate (in pack)	34
631823	Clutch gear snap ring (thin)	35
631824	Clutch gear snap ring (medium)	35
631825	Clutch gear snap ring (thick)	35
640332	Clutch gear snap ring (extra-thick)	35
853857	Gear shift rail — Low and reverse	36
103868	Transmission filler plug	37
103867	Transmission drain plug	38
855892	Gearshift rail interlock plug	39
103892	Gearshift rail plug	40
1117748	Gearshift lever — Rail shifter	41
865905	Gearshift lever pin	42
1115577	Gearshift fork guide rail	43
120369	Gearshift operating lever nut	44
120394	Gearshift operating lever lockwasher	44
120381	Gearshift operating lever nut plain washer	45
860429	Gearshift operating lever	46
1134903	Housing seal — Gearshift lever	47
863393	Gearshift lever shaft rail shifter	48
863390	Gearshift lever pin lock spring	49
853877	Gearshift shaft lock screw	50

TRANSMISSION – PROPELLER SHAFT

Model R-12 and R-18

Parts No.	PARTS NAME	Ref. No.
104921	Gearshift selector ball	51
857309	Gearshift selector ball spring screw washer	52
856468	Gearshift selector spring screw	53
852633	Gearshift selector ball spring	54
120368	Gearshift selector lever nut and lockwasher	55
627261	Selector lever nut plain washer	56
952273	Gearshift selector lever	57
1127794	Selector shaft seal — Cam	58
953780	Gearshift housing stud	59
853955	Gearshift housing	60
854801	Gearshift housing gasket	60A
863389	Selector cam and shaft assembly	61
862392	Gearshift fork lock screw	62
863413	Gearshift lever return spring	63
863392	Gearshift fork — Second and direct	64
862392	Gearshift fork lock screw	65
1138247	Gearshift fork — Low and reverse	66
1139155	Transmission case	67
631869	Reverse idler gear shaft	68
103905	Idler gear shaft key	69
1314052	Gearshift rail, second and direct	70
852431	Gearshift rail interlock	71
852473	Countershaft	72
103905	Countershaft key	73
1115595	Clutch gear — sliding	74
608804	Countershaft gear thrust washer — oilite (thin)	75
601127	Countershaft gear thrust washer — oilite (medium)	75
601128	Countershaft gear thrust washer — oilite (thick)	75
601129	Countershaft gear thrust washer plate steel	76
666927	Countershaft bearing rollers	77
697823	Countershaft gear	78
666924	Reverse idler gear washer	79

CHRYSLER SERVICE PARTS FOR BOMBARDIER SNOWMOBILE



PROPELLER SHAFT AND UNIVERSAL JOINT
ASSY B-12-C, C-18-S

TRANSMISSION – PROPELLER SHAFT

Model R-12 and R-18

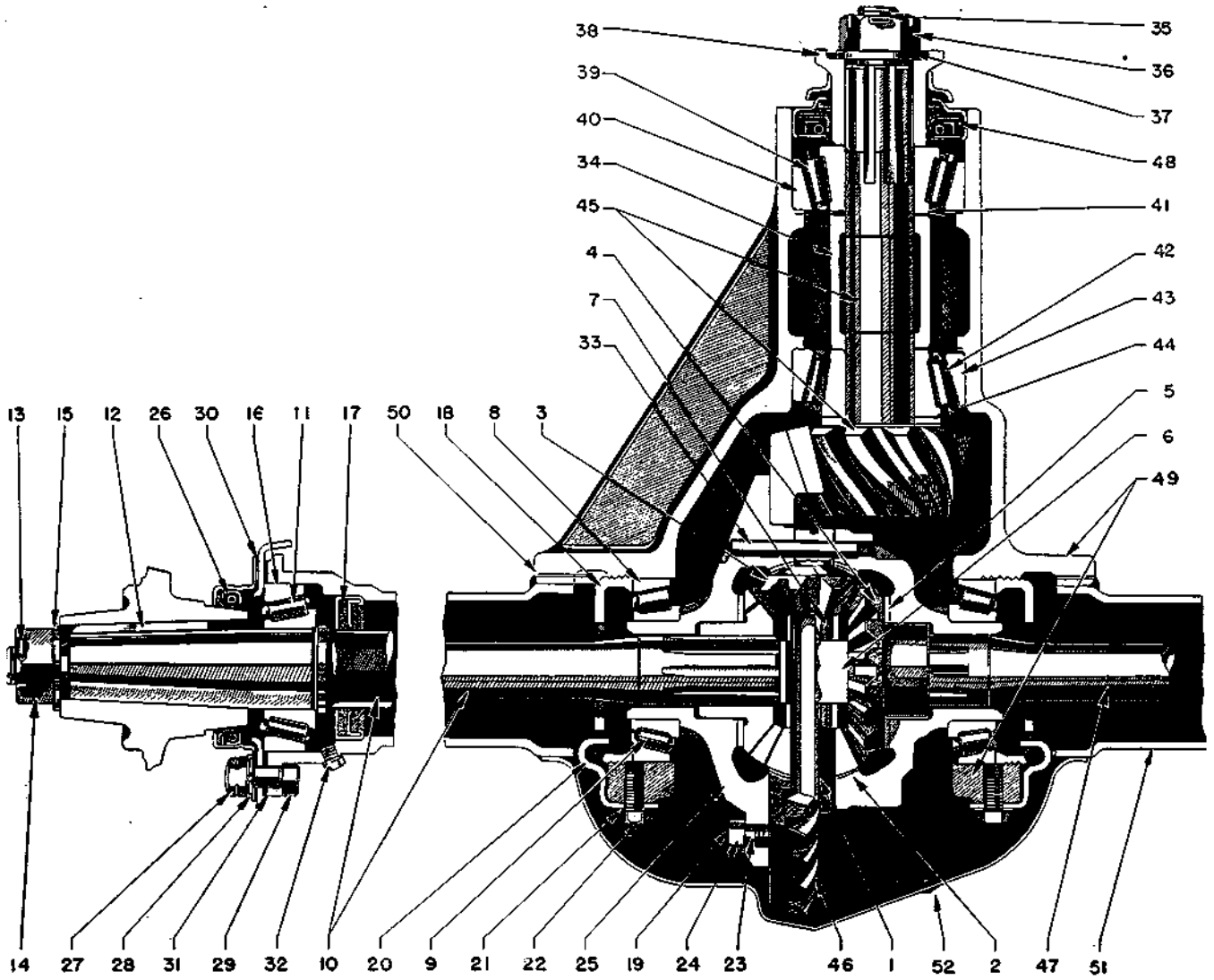
Parts No.	PARTS NAME	Ref. No.
952244	Reverse idler gear	80
666927	Idler gear bearing rollers (22 required)	81
697812	Countershaft bearing spacer	82
853488	Transmission mainshaft	83
665170	Transmission to clutch housing gasket	
122279	Transmission clutch housing bolts	
120283	Transmission to clutch housing bolt	
<hr style="width: 20%; margin: 10px auto;"/>		
1321325	Transmission mainshaft flange	1
684748	Mainshaft flange washer	2
525009	Mainshaft flange nut	3
119209	Mainshaft flange nut cotter pin	4
1122682	Propeller shaft companion flange or yoke	5
110347	Universal joint cross grease nipple	6
604595	Cross bushing retainer	7
1122680	Cross bushing and roller assembly	8
1122678	Cross and seal assembly	9
604594	Cross seal	10
604595	Cross seal retainer	10
1122675	Sliding yoke assembly	11
604596	Sliding yoke dust seal	12
1122677	Sliding yoke cap	13
C-1310	Propeller shaft including universal joints	14
1122683	Rear axle drive pinion flange U-bolt	15
119209	Pinion flange nut cotter	16
853562	Pinion flange nut	17
308466	Pinion flange nut washer	18
1122649	Pinion flange	19
120214	Pinion flange U-bolt lockwasher	20
120368	Pinion flange U-bolt	21

TRANSMISSION – PROPELLER SHAFT

Model R-12 and R-18

Parts No.	PARTS NAME	Ref. No.
1150810	Universal joint rear package, consists of :	
1122678	1 cross assembly	
1122680	4 bushing and rollers	
604593	4 retainers	
A-4501	Knob — Gearshift lever	
B-4502	Lever — Gearshift	
B-4503	Tube and socket — Gearshift	
A-4504	Fulcrum pin — Gearshift	
A-4505	Nut — Fulcrum pin	
A-4506	Spring — Fulcrum pin	
A-4510	Gearshift rod — Steering to cross shaft	
A-4511	Adjusting rod — Selector (Steering to cross shaft)	
A-4512	Nut — Selector adjusting rod	
C-4513	Cross shaft assembly — Gearshift R-12	
C-4507	Cross shaft assembly — Gearshift R-18	
B-4514	Bracket — Gearshift cross shaft	
A-4515	Bolt and nut and lockwasher — Gearshift cross shaft bracket	
A-4005	Grease fitting — Cross shaft	
B-4516	Rod — Gearshift control	
A-4517	Clevis — Gearshift control rod	
A-4518	Lock nut — Gearshift control rod clevis	
B-4519	Rod — Gearshift selector	
A-4520	Nut — Gearshift selector rod	
A-4521	Return spring — Gearshift selector rod	

CHRYSLER SERVICE PARTS FOR BOMBARDIER SNOWMOBILE



REAR AXLE — SECTIONAL VIEW

DIFFERENTIAL AND DRIVE SPROCKET

Model R-12 and R-18

Parts No.	PARTS NAME	Ref. No.
663480	Shaft — Differential pinion	1
663479	Thrust washer — Differential pinion	2
663478	Pinion — Differential	3
663477	Side gear — Differential	4
632587	Thrust washer — Differential side gear	5
651402	Thrust lock — Axle drive shaft	6
663607	Spacer — Axle drive shaft thrust lock	7
698403	Cup — Differential bearing	8
698404	Cone — Differential bearing	9
1118137	Shaft — Axle drive (R-18 only)	10
C-4600	Shaft — Axle drive (R-12 only)	10
2780	Cone — Axle drive shaft bearing (R-18)	11
25877	Cone — Axle drive shaft bearing (R-12)	11
1118149	Key — Axle drive shaft	12
103399	Cotter pin — Axle drive shaft nut	13
53553	Nut — Axle drive shaft	14
50652	Washer — Axle drive shaft nut	15
2735	Cup — Axle drive shaft bearing (R-18)	16
26821	Cup — Axle drive shaft bearing (R-12)	16
1139897	Oil seal assembly — Axle drive shaft (inside) R-18	17
1139896	Oil seal assembly — Axle drive shaft (inside) R-12	17
601864	Adjuster — Differential bearing	18
120369	Nut — Axle drive gear bolt	19
308247	Lock — Differential bearing adjuster	20
122017	Lock — Screw assembly — Differential bearing adjuster	22
663481	Bolt — Axle drive gear	23
663482	Lock — Axle drive gear bolt nut	24
1142005	Case — Differential	25
1117814	Oil seal (outside) — Axle drive shaft bearing (R-18)	26
891437	Oil seal (outside) — Axle drive shaft bearing (R-12)	26
1118868	Hub — Rear wheel (R-18)	
688700	Hub — Rear wheel (R-12)	

DIFFERENTIAL AND DRIVE SPROKET

Model R-12 and R-18

Parts No.	PARTS NAME	Ref. No.
860681	Nut — Rear wheel brake support to axle housing bolt	27
120382	Lock washer — Rear wheel brake support to axle housing bolt nut	28
854472	Bolt — Rear wheel brake support to axle housing	29
651719	Gasket — Axle drive shaft bearing oil seal retainer	30
681319	Adjusting shim (thin) — Axle drive shaft bearing	31
681320	Adjusting shim (medium) — Axle drive shaft bearing	31
681321	Adjusting shim (thick) — Axle drive shaft bearing	31
681322	Adjusting shim (Extra-thick) — Axle drive shaft bearing	31
A-4601	Grease fitting — Axle bearing	32
141210	Lock pin — Differential pinion shaft	33
663483	Spacer — Axle drive pinion bearing	34
119209	Cotter pin — Axle drive pinion flange nut	35
853562	Nut — Axle drive pinion flange	36
308466	Washer — Axle drive pinion flange nut	37
1122649	Flange — Axle drive pinion	38
698414	Cone — Axle drive pinion front bearing	39
698413	Cup — Axle drive pinion front bearing	40
698739	Adjusting shim (thin) axle drive pinion front bearing	41
698741	Adjusting shim (thick) — Axle drive pinion front bearing	41
698415	Cone — Axle drive pinion rear bearing	42
698413	Cup — Axle drive pinion rear bearing	43
303856	Washer — Axle drive pinion rear bearing	44
303857	Washer (Thick) — Axle drive pinion rear bearing	44
663446	Pinion — Axle drive	45
663445	Gear — Axle drive	46
663602	Oil seal — Axle drive pinion bearing	48
1141543	Carrier and cap assembly — Axle drive pinion	49
1121939	Gasket — Axle drive pinion carrier	50
C-4605	Housing — Differential (R-12)	51
C-4606	Housing — Differential (R-18)	51
143998	Plug — Housing cover	52
1141913	Carrier assembly — Differential (4.1 to 1)	

DIFFERENTIAL AND DRIVE SPROCKET

Model R-12 and R-18

Parts No.	PARTS NAME	Ref. No.
855694	Vent plug — Rear axle housing	
673661	Axle drive gear and pinion (matched set) 4.1 to 1	
A-4607	U-bolt — Differential housing	
A-4608	Nut — Differential housing U-bolt	
A-4609	Retainer plate — Drive axle bearing (R-12)	
A-4610	Retainer plate and oil seal assembly (R-18)	
C-4614	Drive sprocket (R-12)	
C-4616	Drive sprocket (R-18)	
A-2614	Bolt (long) — Drive sprocket	
'315' C-4615	Lining (rubber) — Drive sprocket <i>107-9004</i>	
A-4620	Bolt, nut and washer — Sprocket lining	
A-4621	Washer — Sprocket lining bolt	

ELECTRICAL

Model R-12 and R-18

NOTE : For the Generator — Starter and Distributor see Details in Chrysler Industrial Engine Maintenance and parts manual.

Parts No.	PARTS NAME	Ref. No.
1257392	Generator Assembly	
1343573	Regulator assembly — Generator	
1194567	Starter assembly	
1271146	Distributor assembly	
677179	Automatic choke assembly	
A-2700	Battery	
C-2701	Battery bracket (removable parts) R-18	
C-4701	Battery bracket (removable parts) R-12	
A-2702	Bolts, nuts, washer — Battery bracket	
A-4711	Cable ground-battery	
A-4702	Cable negative — Battery to starter. R-12	
A-4702-1	Cable negative — Battery to starter. R-18	
B-4703	Headlamp assembly	
A-2704	Sealed beam unit — Headlamp	
B-2705	Housing seat — Headlamp	
B-2706	Ring — Headlamp housing	
A-2707	Bolt nut and lock — Headlamp housing ring	
A-4708	Bolt and nut and lock — Headlamp	
A-2709	Connector — Headlamp	
A-2710	Headlamp connector — Clip	
A-2712	Dimmer switch assembly	
A-2713	Switch assembly — Headlamp	
A-2714	Cable — Headlamp and ignition switch to circuit breaker	
A-2715	Circuit breaker assembly	
A-2716	Bolt, nut and washer — Circuit breaker	
A-2717	Cable — Circuit breaker to dome lamp switch	
A-2718	Cable circuit breaker to ammeter	
A-2719	Dome lamp assembly	
A-2720	Bulb — Dome lamp	
A-2721	Glass — Dome lamp	

ELECTRICAL

Model R-12 and R-18

Parts No.	PARTS NAME	Ref. No.
A-2722	Switch — Dome lamp	
A-4723	Cable — Switch to dome lamp	
A-2725	Bulb — Dash lamp	
A-4726	Tail lamp assembly	
A-2728	Bulb — Tail lamp	
A-2729	Ignition switch assembly	
A-2730	Cable — Ignition switch to gauges	
A-2731	Cable — Ignition to wiper switch	
A-2732	Switch — Electric windshield wiper	
A-2733	Cable wiper switch to wiper	
B-2734	Wiper assembly — Electric windshield	
A-4727	Glass — Tail lamp	
B-2745	Motor — Electric windshield wiper	
A-2736	Arm — Electric windshield wiper	
A-2737	Blade — Electric windshield wiper	
B-2738	Ammeter assembly	
B-2739	Temperature gauge assembly (dash)	
B-2740	Temperature gauge assembly (motor)	
B-2741	Oil gauge assembly (dash)	
B-2742	Oil gauge assembly (motor)	
B-2743	Fuel gauge assembly (dash)	
B-2744	Fuel gauge assembly (tank)	
A-2745	Gasket fuel gauge (tank)	
B-2746	Screw — Fuel gauge to tank	
B-2747	Horn assembly	
B-2748	Relay assembly — Horn	
A-2749	Bolt, nut, washer — Horn to support	
B-2751	Speedometer assembly	
A-4752	Cable — Speedometer	
A-4753	Housing — Speedometer cable	
A-2754	Glass — Speedometer	
A-4755	Wiring harness assembly	

ELECTRICAL

Model R-12 and R-18

Parts No.	PARTS NAME	Ref. No.
A-4756	Switch — Heater	
A-4757	Cable — Ignition to heater switch	
C-4758	Heater assembly complete	
C-4759	Motor — Heater	
B-4760	Nut — Heater motor	
B-4761	Impeller — Heater	
B-4762	Core — Heater	
C-4763	Casing — Heater	
A-4764	Bolt and nut — Heater casing	
A-4765	Outlet — Heater to defroster	
A-4766	Bolt, nut washer — Heater to defroster outlet	
A-4767	Outlet duct — Heater	
A-4768	Hose 5/8" — Heater (specify length)	
A-4769	Clamp — Heater hose	
B-4775	Pedal — Starter	
B-4776	Rod — Starter pedal to lever	
A-4521	Return spring — Starter rod	
A-4412	Clevis — Starter rod	
A-4413	Lock nut — Starter rod clevis	
A-4403	Pin — Starter rod clevis	
B-4777	Lever — Starter control	
A-4778	Bolt and bushing — Starter control lever	
A-4779	Rod short — Starter to lever	

COOLING SYSTEM

Model R-12 and R-18

Parts No.	PARTS NAME	Ref. No.
C-4800	Radiator assembly	
A-4805	Bolt, nut, washer — Radiator mounting	
A-2801	Cap — Radiator	
A-4806	Drain cock — Radiator	
B-4808	Hose (Upper) — Radiator	
A-2804	Clamp (Upper) — Radiator	
A-4810	Metal hose — Radiator	
A-4811	Hose (Lower motor) — Radiator	
A-4812	Hose (Lower) — Radiator	
B-2806	Clamp (Lower) — Radiator hose	
867040	Thermostat	
920113	Fan blade assembly	
670500	Fan pulley at fan	
954116	Fan pulley at crankshaft	
1263790	Fan and generator belt	
974284	Water pump assembly	

B O D Y

Model R-12 and R-18

Parts No.	PARTS NAME	Ref. No.
B-4900	Glass — Windshield (R-12) 44" x 16"	
B-4901	Glass — Windshield (R-18) 58" x 16"	
B-4901-1	Glass — Windshield (R-18) 59" x 16"	
B-4902	Weatherstrip — Windshield (R-12)	
B-4903	Weatherstrip — Windshield glass (R-18) — Specify length	
C-4905	Door — Right hand	
C-4906	Door — Left hand	
A-4909	Hinge — Door	
A-4910	Spacer washer — Door hinge	
A-4911	Nut — Door hinge	
C-4915	Glass and frame assembly — Door window R.H.	
C-4921	Glass and frame assembly — Door window L.H.	
B-4916	Glass — Door window	
B-4917	Frame — Door window R.H.	
B-4922	Frame — Door window L.H.	
A-4918	Retaining clip — Door window	
A-4919	Weatherstrip — Door window	
A-4920	Weatherstrip — Door	
B-4925	Door catch assembly R.H.	
B-4926	Door catch assembly L.H.	
B-4928	Rubber tube — Door catch chain	
A-4927	Chain — Door catch	
A-4930	Handle — Door	
A-4931	Escutcheon — Door handle	
A-4932	Chain — Door retainer	
A-4933	Bolt, nut and washer — Door retainer chain	
A-4934	Door pull	
C-4940	Instrument panel assembly R-12	
C-4941	Instrument panel assembly R-18	
C-4945	Toe and floor board assembly R-12	
C-4946	Toe and floor board assembly R-18	
C-4942	Bracket — Front seat support	

B O D Y

Model R-12 and R-18

Parts No.	PARTS NAME	Ref. No.
B-4947	Bolt — Front seat support	
B-4948	Rear floor board assembly R-12	
C-4949	Rear floor board assembly R-18	
B-4950	Transmission service cover R-12	
B-4951	Transmission service cover R-18	
B-4955	Front seat less cushion	
B-4956	Cushion front seat (with cover)	
B-4957	Back cushion front seat (with cover)	
B-4958	Cover only — Front seat cushion	
B-4959	Cover only — Back cushion front seat	
C-4960	Cushion — Rear side seat R.H. (with cover)	
C-4961	Cushion — Rear side seat L.H. (with cover)	
C-4962	Cover only — Rear side seat R.H.	
C-4963	Cover only — Rear side seat L.H.	
C-4964	Back — Side seat R.H. (with cover)	
C-4965	Back — Side seat L.H. (with cover)	
C-4966	Cover only — Back side seat R.H.	
C-4967	Cover only — Back side seat L.H.	
B-4968	Cushion — Rear central seat (with cover) R-12	
B-4969	Cushion — Rear central seat (with cover) R-18	
B-4970	Cover only — Rear central seat R-12	
B-4971	Cover only — Rear central seat R-18	
B-4972	Back cushion — Rear central seat (with cover) R-12	
C-4973	Back cushion — Rear central seat (with cover) R-18	
C-4974	Cover only — Rear central seat R-12	
C-4975	Cover only — Rear central seat R-18	
C-4976	Side loading door R.H.	
A-4977	Retainer chain — Side loading door	
C-4980	Door — Motor compartment R.H.	
C-4981	Door — Motor compartment L.H.	
A-4982	Handle — Motor compartment door	
A-4931	Escutcheon — Motor compartment door	

B O D Y

Model R-12 and R-18

Parts No.	PARTS NAME	Ref. No.
A-4983	Latch — Motor compartment door R.H.	
A-4984	Latch — Motor compartment door L.H.	
A-4985	Lever — Motor compartment door latch	
A-4986	Spring — Motor compartment door latch	
C-4987	Door — Rear	
A-4912	Hinge — Rear door	
B-4988	Door — Valve service	
B-4989	Glass — Side window (round 12")	
A-4990	Retainer side window rubber (12")	
B-4991	Glass — Side window (round 10")	
A-4992	Retainer — Side window rubber (10")	
B-4993	Lining — Cab roof and side (kit) R-12	
B-4994	Lining — Cab roof and side (kit) R-18	
B-4995	Moulding — Cab lining R-12	
B-4998	Sliding cover — Warm air circulation control R-12	
B-4999	Sliding cover — Warm air circulation control R-18	